

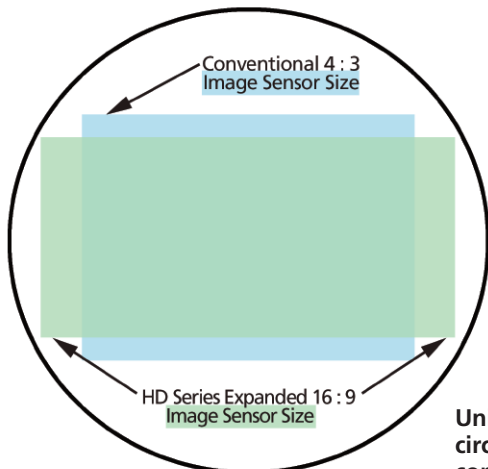
"A" Series Megapixel IR AG3Z3112FCS-MPIR



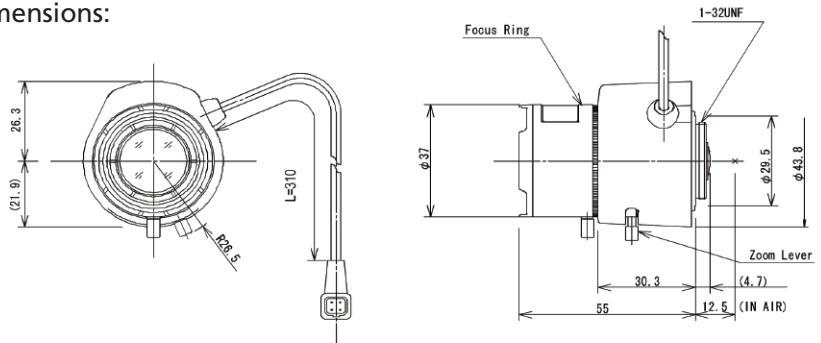
- 1/2.7" Format
- 3 Megapixel DC Auto Iris Varifocal
- Full HD Format
- Precise Focus Adjustment
- IR Corrected Optics
- Corner Brightness

| | | | | | | | |
|-----------------------|-------------------------------|---------------------|----------------|--------------------|-----------------------------|---------------|----------------|
| Model No. | AG3Z3112FCS-MPIR | | | Effective | Front | ϕ 20.9mm | |
| Focal Length | 3.1mm - 8mm | | | Lens Aperture | Rear | ϕ 10.5mm | |
| Max. Aperture Ratio | 1:1.2 | | | Back Focal | Tele | 7.8mm | |
| Max. Image Format | 3.2mm x 5.8mm (ϕ 6.6mm) | | | Length | Wide | 7.8mm | |
| Operation Range | Iris | F1.2 - F360C | | Flange Back Length | 12.5mm | | |
| | Focus | 0.3m - Inf. | | Mount | CS-Mount | | |
| | Zoom | 3.1mm - 8mm | | Filter Size | — | | |
| Control | Iris | DC Auto Iris | | Dimensions | ϕ 37mm x 48.2mm x 55mm | | |
| | Focus | Manual | | Weight | 59.0g | | |
| | Zoom | Manual | | | | | |
| Angle of View | D | 1/2.7 type | 123.1° - 48.3° | 1/2.7 type | 123.1° - 48.3° | 1/3 type | 110.3° - 43.9° |
| | H | (16:9) | 105.4° - 42.2° | (4:3) | 95.9° - 38.7° | (4:3) | 86.7° - 35.2° |
| | V | | 57.9° - 23.8° | | 71.0° - 29.1° | | 64.4° - 26.5° |
| Coil | Drive | 190 Ω / 20°C | | | | | |
| | Control | 855 Ω / 20°C | | | | | |
| Operating Temperature | -10°C - +50°C | | | | | | |

Specifications are subject to change without notice.



Dimensions:



Unique HD optical design provides larger image circle for exceptional brightness and clarity in corners and throughout image plane.